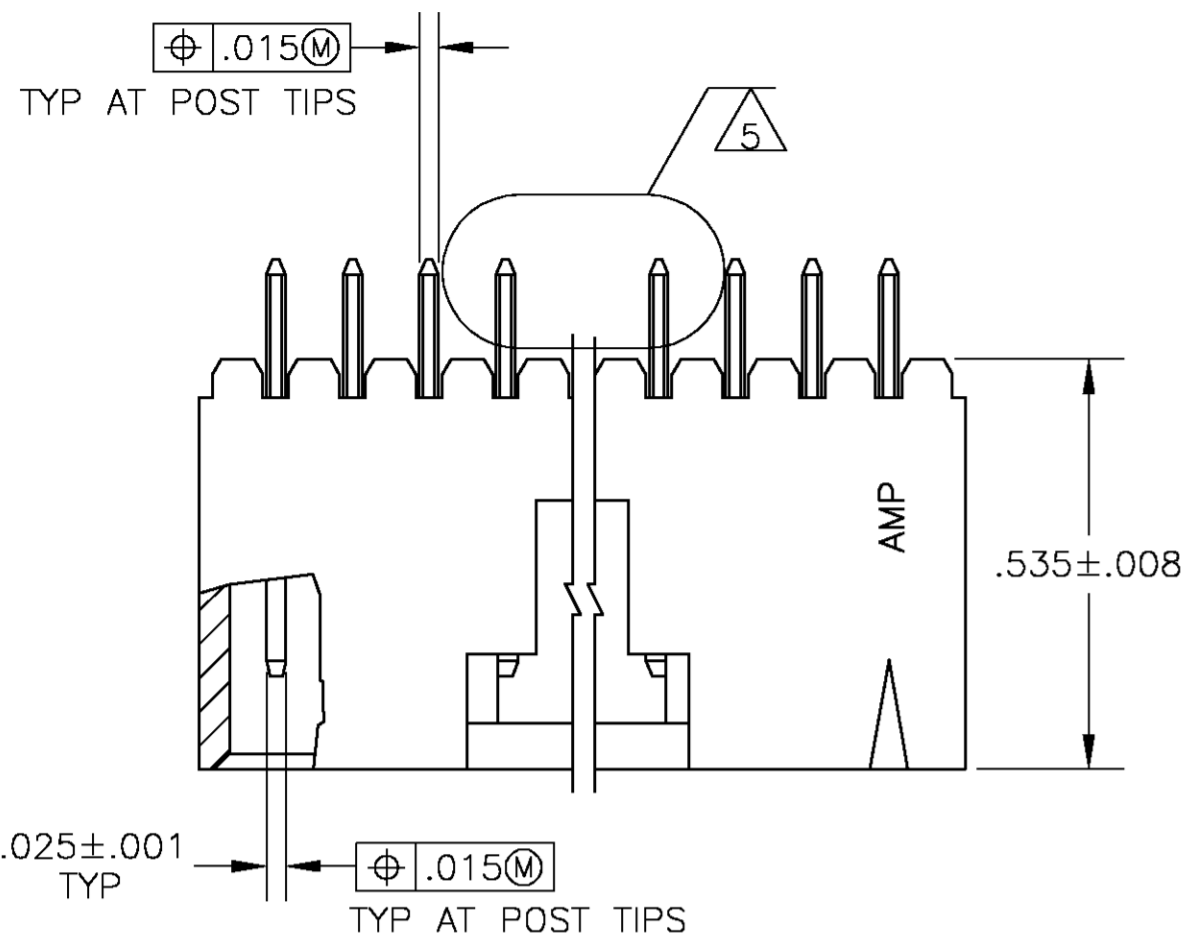
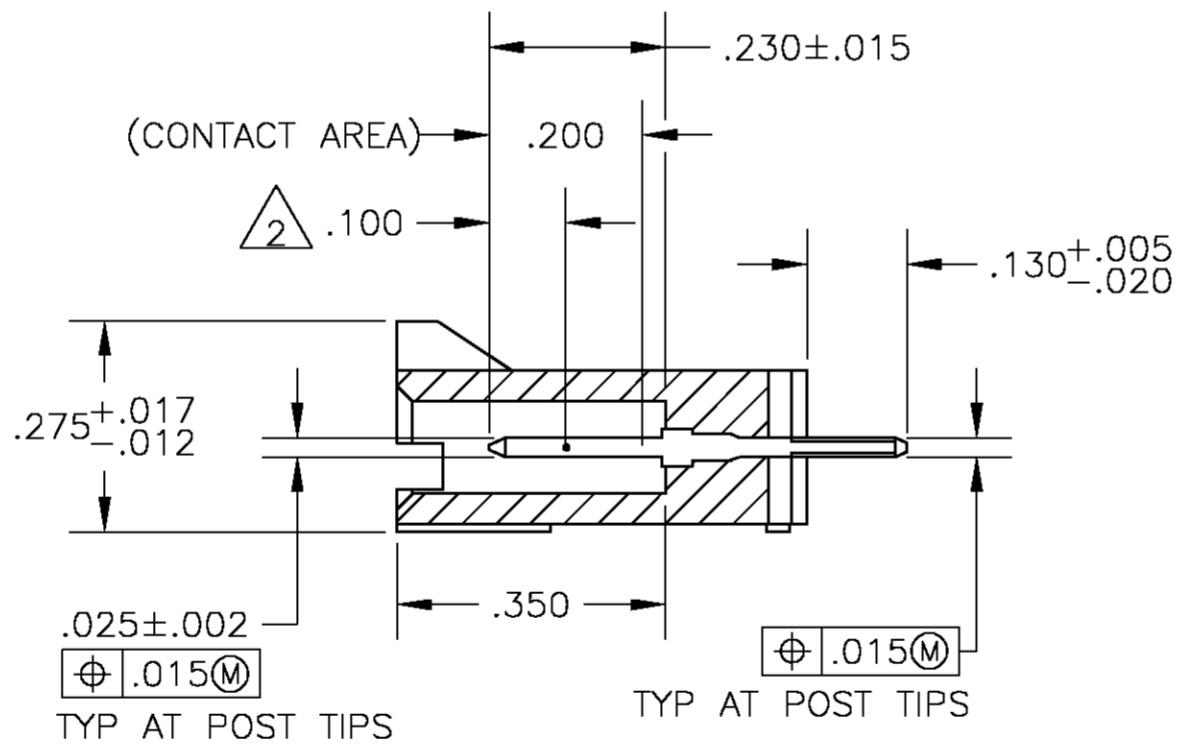
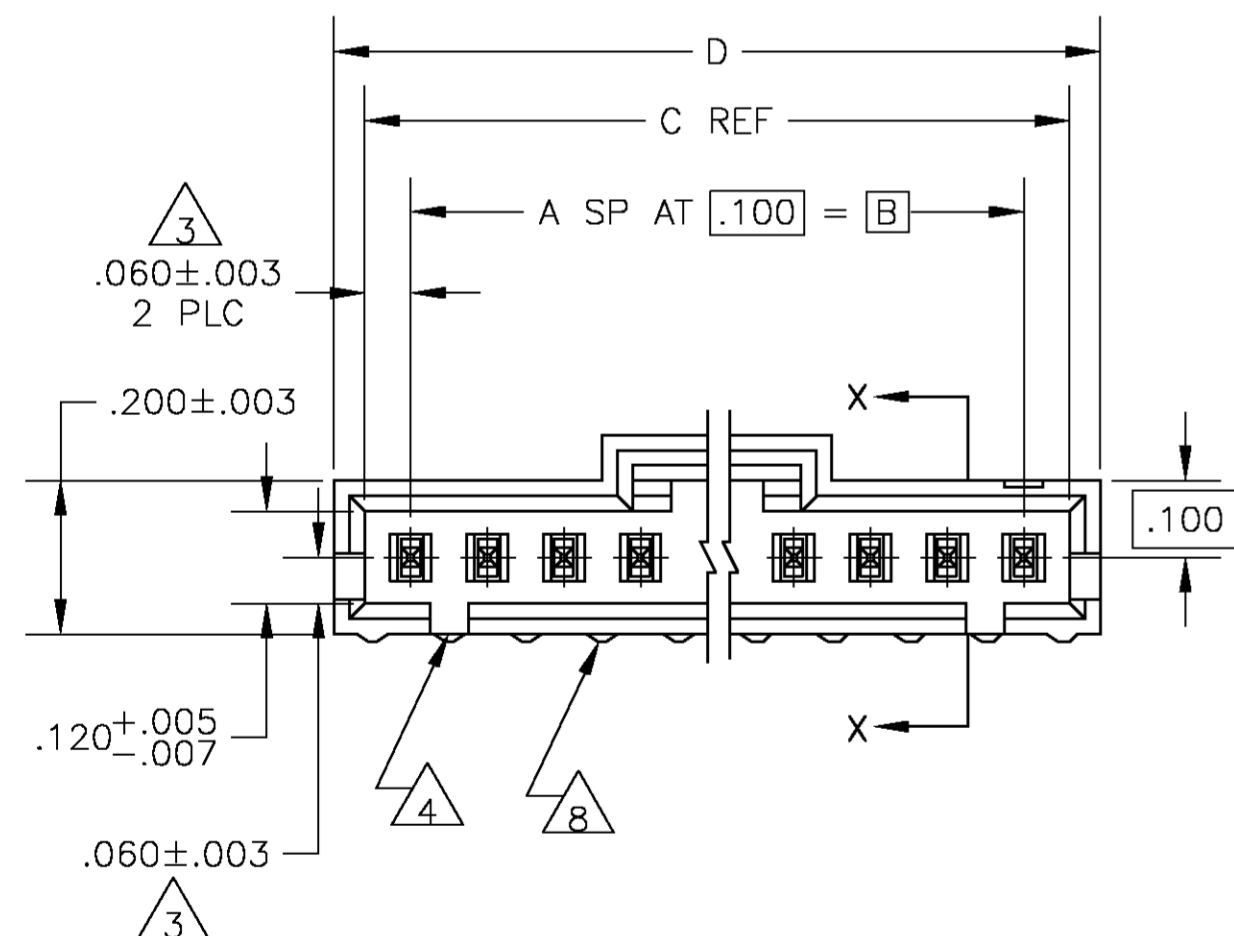


THIS DRAWING IS UNPUBLISHED. RELEASED FOR PUBLICATION  
 © COPYRIGHT BY TYCO ELECTRONICS CORPORATION. ALL RIGHTS RESERVED.

LOC	DIST	REVISIONS					
AD	00	P	LTR	DESCRIPTION	DATE	DWN	APVD
		P		EC 0G3C 0789 04	01-02-05	BSV	JLG



- 1 .000030 GOLD IN THE CONTACT AREA, .000100-.000200 MATTE TIN-LEAD ON THE SOLDER TAIL, ALL OVER .000050 NICKEL
- 2 POINT OF MEASUREMENT FOR PLATING THICKNESS
- 3 THESE DIMENSIONS APPLY WHERE THE POST INTERSECTS THE HOUSING
- 4 ON ASSEMBLIES WITH FOUR OR MORE POSITIONS, TWO POLARIZATION SLOTS. ON ASSEMBLIES WITH TWO OR THREE POSITIONS, ONE POLARIZATION SLOT.
- 5 SELECT POST TAILS FORMED TO PROVIDE CONNECTOR HOLD DOWN UNTIL SOLDERED. CONFIGURATION ACCEPTS .027-.080 THICK PRINTED CIRCUIT BOARD. (SEE DETAIL Z)
- 6 .000030 GOLD IN THE CONTACT AREA, .000100-.000200 MATTE TIN ON THE SOLDER TAIL, ALL OVER .000050 NICKEL
- 7 HIGH TEMPERATURE CONFIGURATION
- 8 STANDOFFS NOT PRESENT ON UNDERSIDE OF ASSEMBLY



SECTION X-X



RECOMMENDED HOLE LAYOUT

REMARKS	PLATING	D	C	B	A	NO OF POSN	ASSEMBLY PART NUMBER
	7	8	6	2.600	2.520	2.400	24 25 7-103908-4
	7	8	6	2.500	2.420	2.300	23 24 7-103908-3
	7	8	6	2.400	2.320	2.200	22 23 7-103908-2
	7	8	6	2.300	2.220	2.100	21 22 7-103908-1
	7	8	6	2.200	2.120	2.000	20 21 7-103908-0
	7	8	6	2.100	2.020	1.900	19 20 6-103908-9
	7	8	6	2.000	1.920	1.800	18 19 6-103908-8
	7	8	6	1.900	1.820	1.700	17 18 6-103908-7
	7	8	6	1.800	1.720	1.600	16 17 6-103908-6
	7	8	6	1.700	1.620	1.500	15 16 6-103908-5
	7	8	6	1.600	1.520	1.400	14 15 6-103908-4
	7	8	6	1.500	1.420	1.300	13 14 6-103908-3
	7	8	6	1.400	1.320	1.200	12 13 6-103908-2
	7	8	6	1.300	1.220	1.100	11 12 6-103908-1
	7	8	6	1.200	1.120	1.000	10 11 6-103908-0
	7	8	6	1.100	1.020	.900	9 10 5-103908-9
	7	8	6	1.000	.920	.800	8 9 5-103908-8
	7	8	6	.900	.820	.700	7 8 5-103908-7
	7	8	6	.800	.720	.600	6 7 5-103908-6
	7	8	6	.700	.620	.500	5 6 5-103908-5
	7	8	6	.600	.520	.400	4 5 5-103908-4
	7	8	6	.500	.420	.300	3 4 5-103908-3
	7	8	6	.400	.320	.200	2 3 5-103908-2
	7	8	6	.300	.220	.100	1 2 5-103908-1
	1	1	1	2.600	2.520	2.400	24 25 2-103908-4
	1	1	1	2.500	2.420	2.300	23 24 2-103908-3
	1	1	1	2.400	2.320	2.200	22 23 2-103908-2
	1	1	1	2.300	2.220	2.100	21 22 2-103908-1
	1	1	1	2.200	2.120	2.000	20 21 2-103908-0
	1	1	1	2.100	2.020	1.900	19 20 1-103908-9
	1	1	1	2.000	1.920	1.800	18 19 1-103908-8
	1	1	1	1.900	1.820	1.700	17 18 1-103908-7
	1	1	1	1.800	1.720	1.600	16 17 1-103908-6
	1	1	1	1.700	1.620	1.500	15 16 1-103908-5
	1	1	1	1.600	1.520	1.400	14 15 1-103908-4
	1	1	1	1.500	1.420	1.300	13 14 1-103908-3
	1	1	1	1.400	1.320	1.200	12 13 1-103908-2
	1	1	1	1.300	1.220	1.100	11 12 1-103908-1
	1	1	1	1.200	1.120	1.000	10 11 1-103908-0
	1	1	1	1.100	1.020	.900	9 10 103908-9
	1	1	1	1.000	.920	.800	8 9 103908-8
	1	1	1	.900	.820	.700	7 8 103908-7
	1	1	1	.800	.720	.600	6 7 103908-6
	1	1	1	.700	.620	.500	5 6 103908-5
	1	1	1	.600	.520	.400	4 5 103908-4
	1	1	1	.500	.420	.300	3 4 103908-3
	1	1	1	.400	.320	.200	2 3 103908-2
	1	1	1	.300	.220	.100	1 2 103908-1

THIS DRAWING IS A CONTROLLED DOCUMENT.

DIMENSIONS: INCHES TOLERANCES UNLESS OTHERWISE SPECIFIED:  
 0 PLC ± -  
 1 PLC ± -  
 2 PLC ± -  
 3 PLC ± .005  
 4 PLC ± -  
 ANGLES ± -  
 FINISH SEE TABLE

MATERIAL HOUSING: FLAME RETARDANT THERMOPLASTIC COLOR-BLACK CONTACTS-BRASS

DWN H MOLL 7-28-86  
 CHK PC deJONG 7-28-86  
 APVD PC deJONG 7-28-86  
 PRODUCT SPEC  
 APPLICATION SPEC  
 WEIGHT -

tyco Electronics Tyco Electronics Corporation Harrisburg, Pa 17105-3608

NAME: HEADER ASSY, AMPMODU MTE, VERTICAL, SINGLE ROW, .100 C, .025 SQ POSTS WITH LATCH & RETENTIVE POSTS

SIZE: A2 CAGE CODE: 00779 DRAWING NO: 103908 RESTRICTED TO: -

CUSTOMER DRAWING SCALE: 4:1 SHEET: 1 OF 1 REV: P